

www.360customs.de

Sheet: /
File: SLA_CHRG_BQ24450.sch

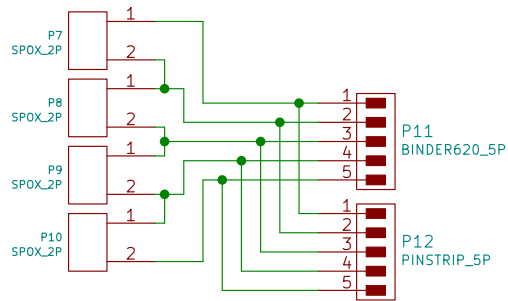
Title: BQ24450 Isolated SLA-Charger

Size: A4 Date: 2017-01-25

KiCad E.D.A. kicad (2017-01-18 revision 2eb840b)-makepkg

Rev: 0.A

Id: 1/2



○ LG2

Sheet: /Binder Spox Adapter/
 File: Binder_Spox_Adapter.sch

Title:

Size: A4 Date: 2017-01-25
 KiCad E.D.A. kicad (2017-01-18 revision 2eb840b)-makepkg

Rev:
 Id: 2/2